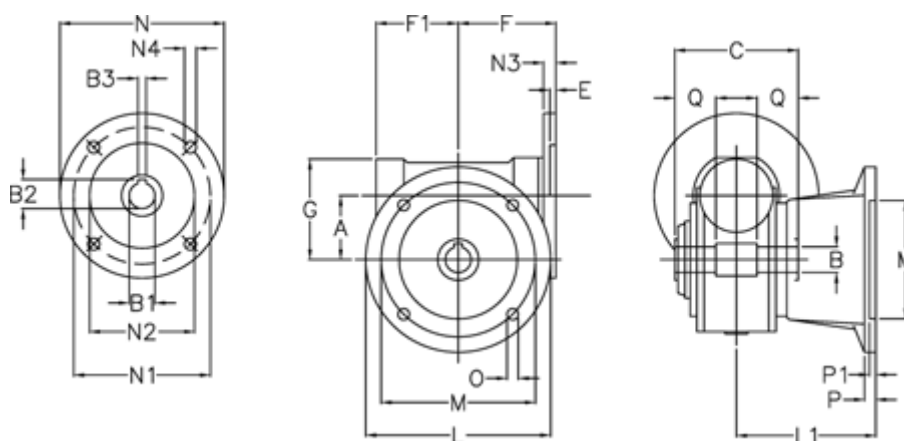


Article number: 390204402062310  
 Description: Worm gear  
 VF 44-FA2-20-63B14

## Measures



A = 44.6	F1 = 54	N2 = 60
B = 18 H7	G = 71	N3 = 8
B1 E7 = 11	L = 110	N4 = 5.5
B2 = 12.8	L1 = 90	O = 8.5
B3 H9 = 4	M = 87	P = 9
C = 64	M1 = 60	P1 = 7
E = 2	N = 90	Q = 24.5
F = 65	N1 = 75	